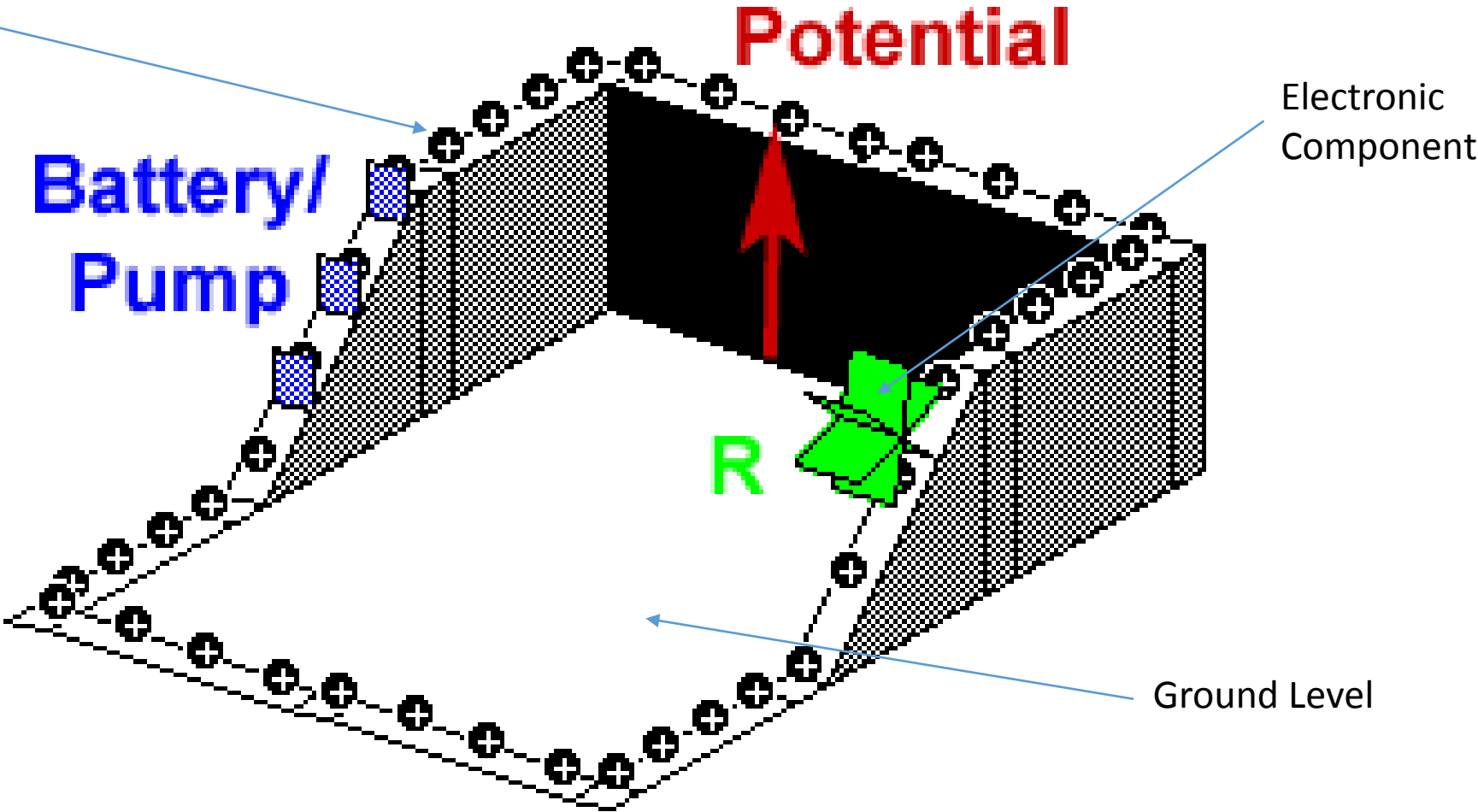


Arduino Basics

Rajeev Dwivedi, PhD

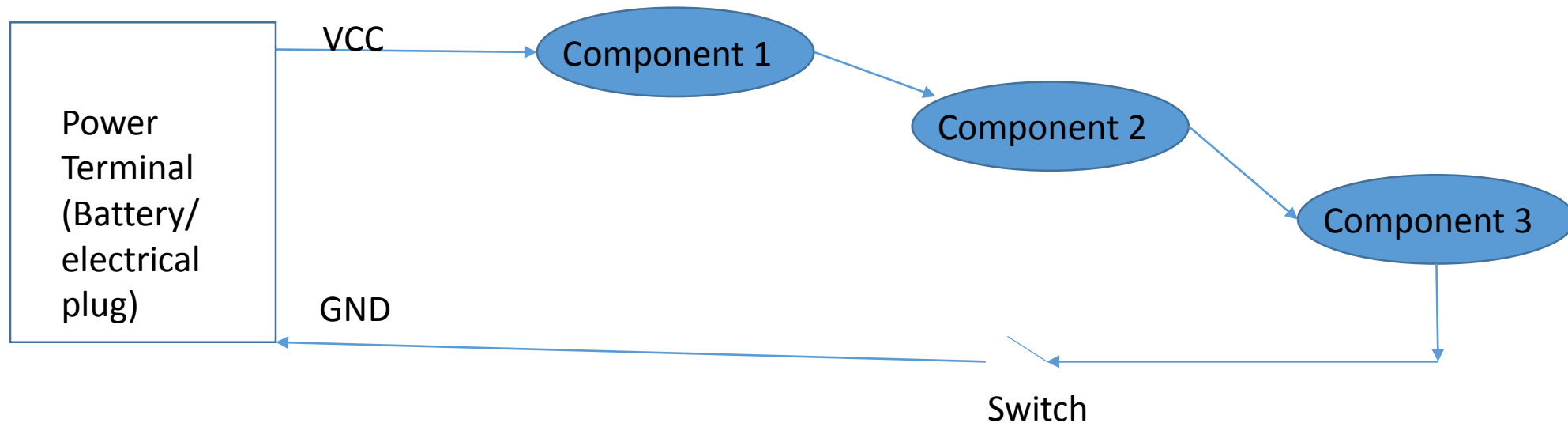
Electronic Circuit

VCC
Level



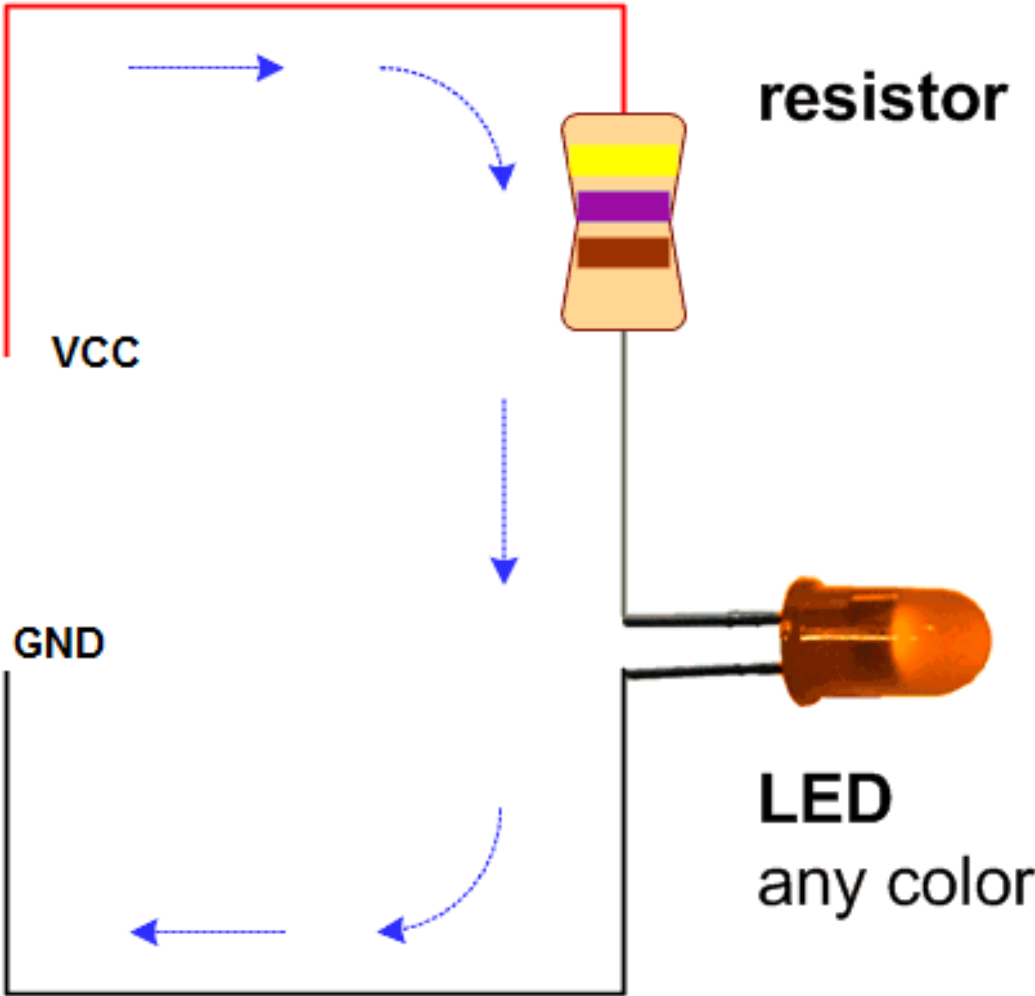
A circuit

- It needs to be a complete loop. Current needs to flow **through** components

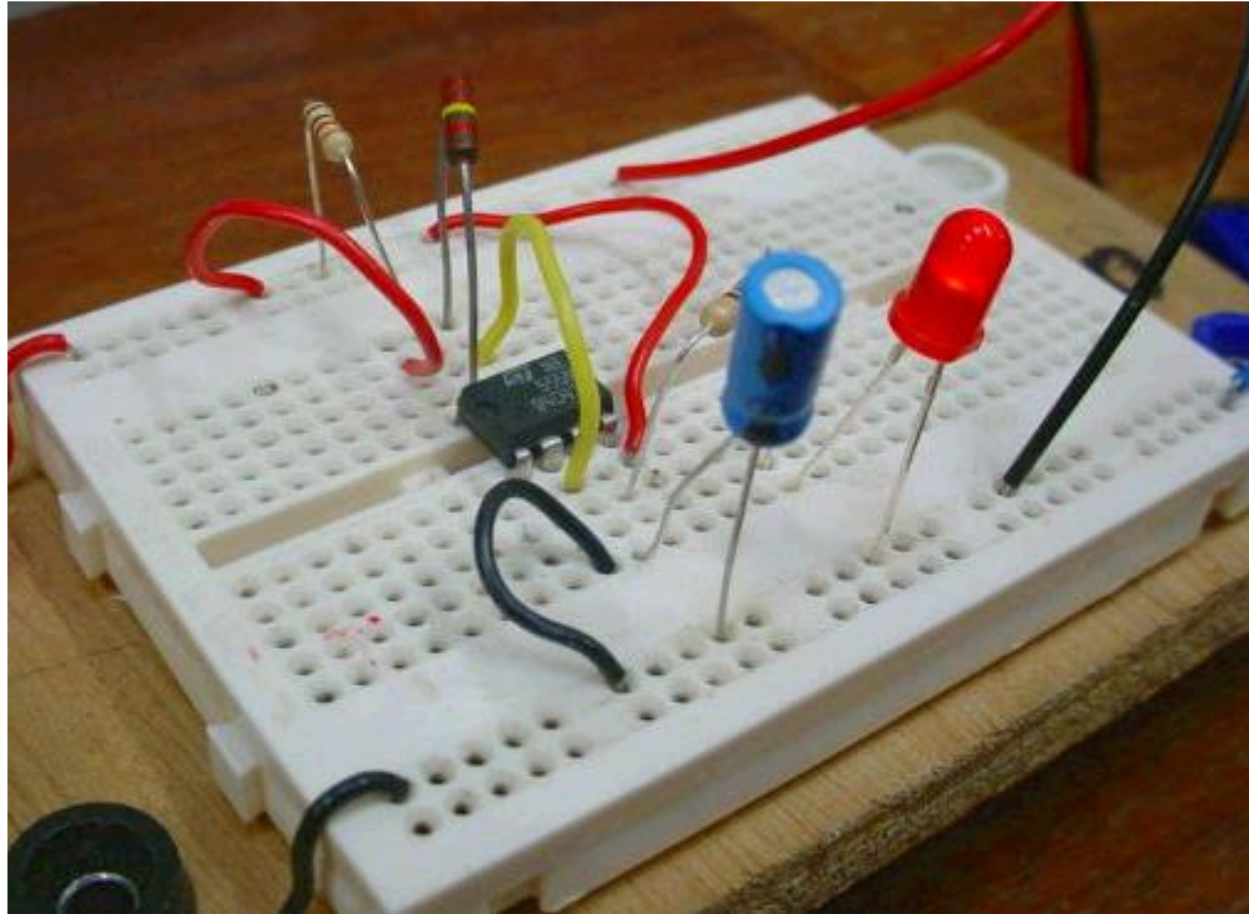


Place the switch anywhere, effect is same

A simple circuit



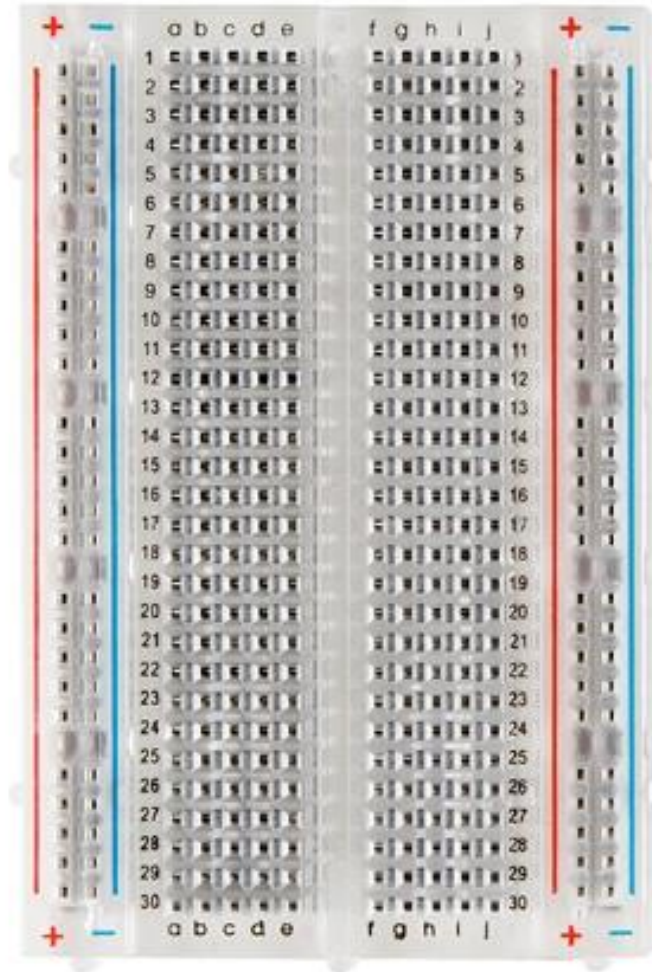
Using Breadboard to build a Circuit



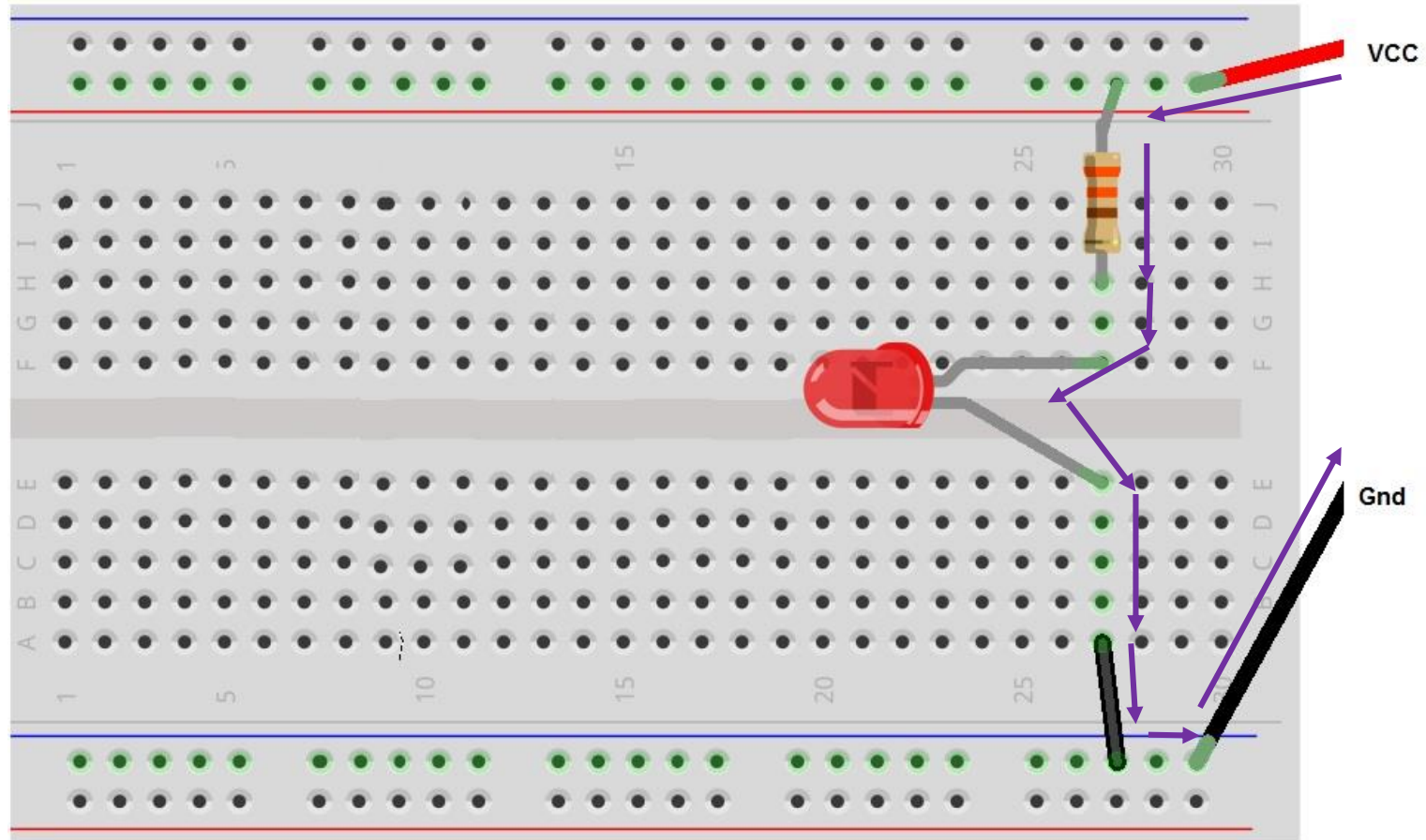
A Bread Board



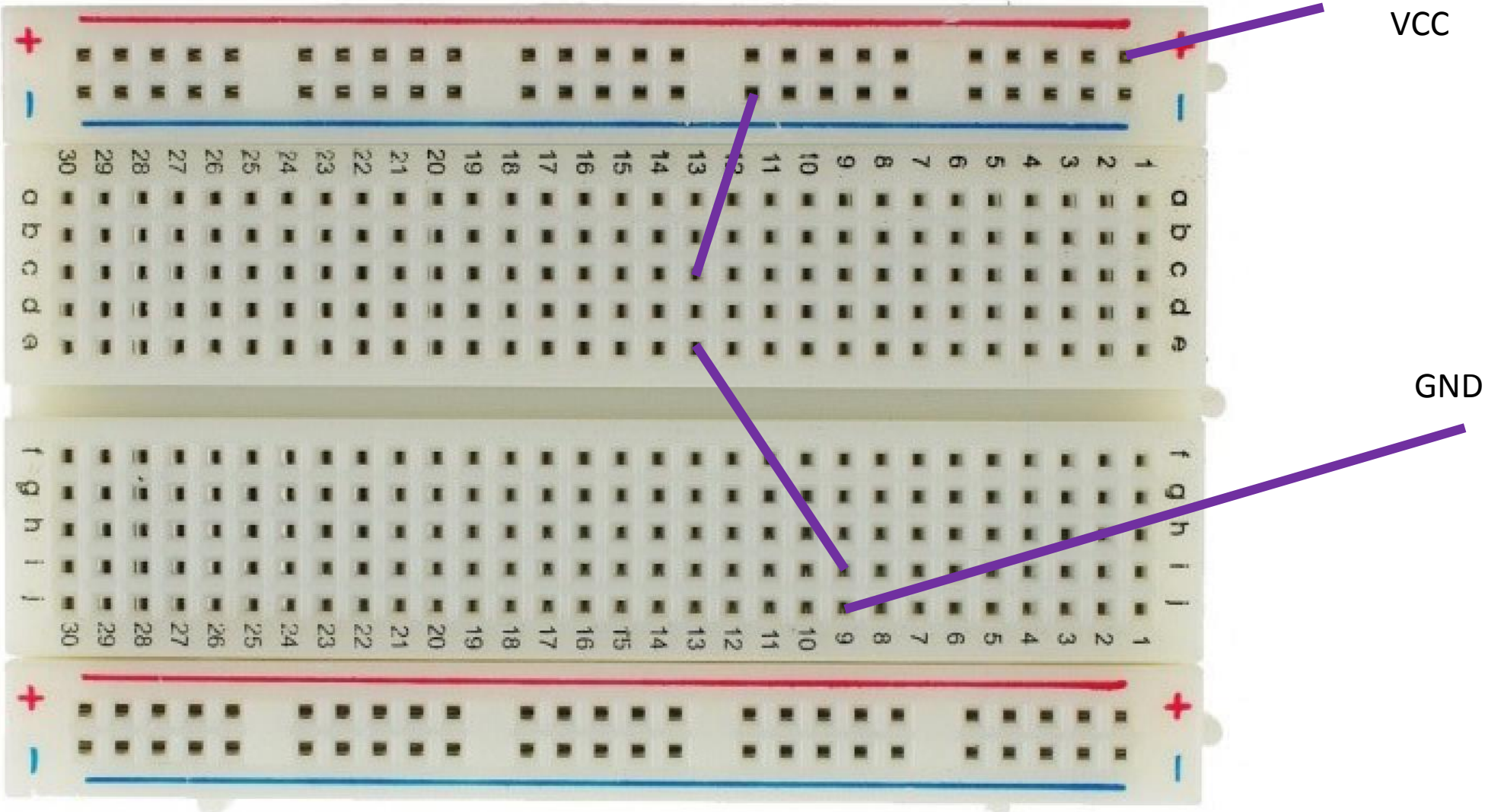
Understanding Breadboard



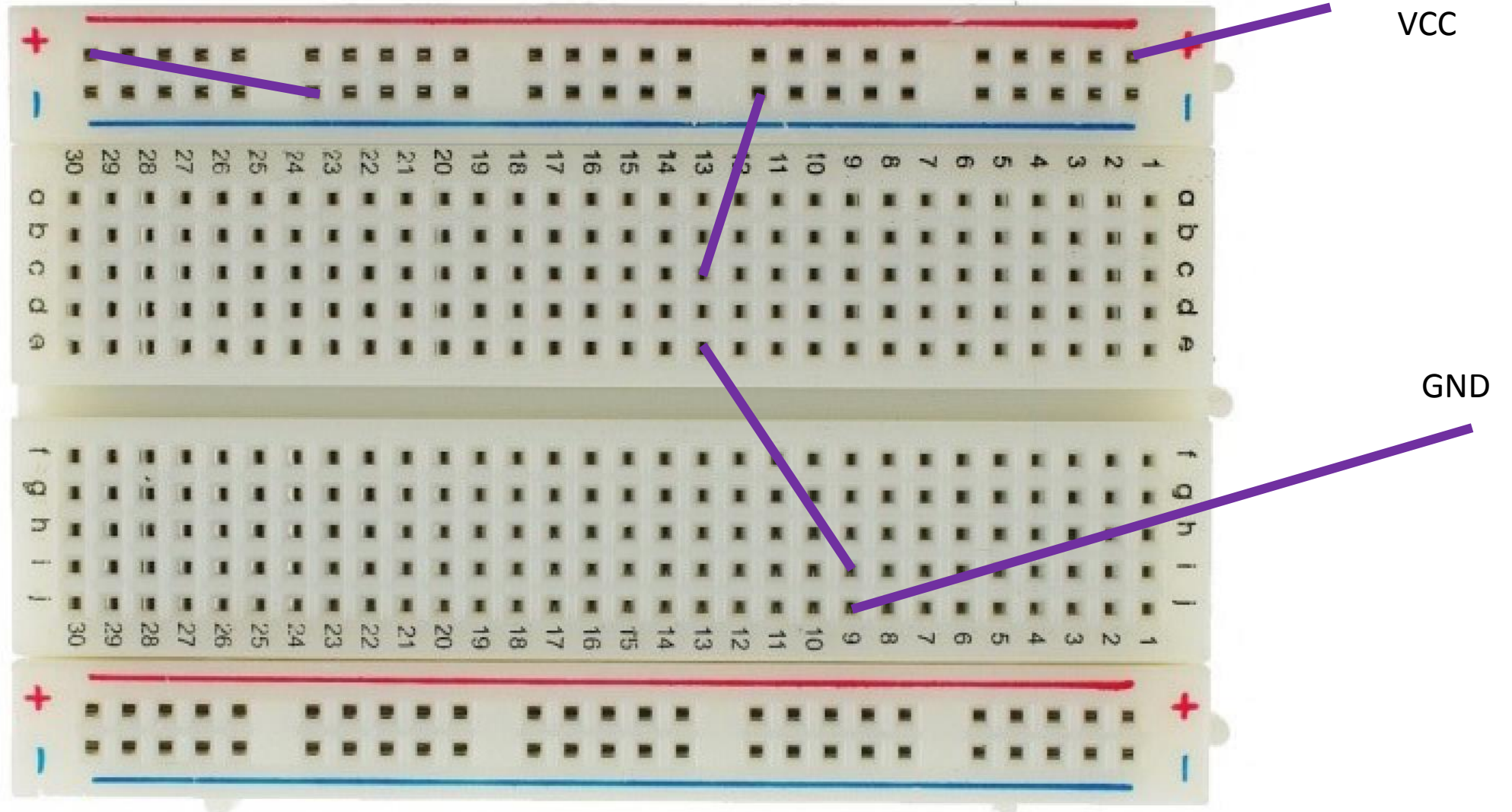
A Basic circuit on the Breadboard



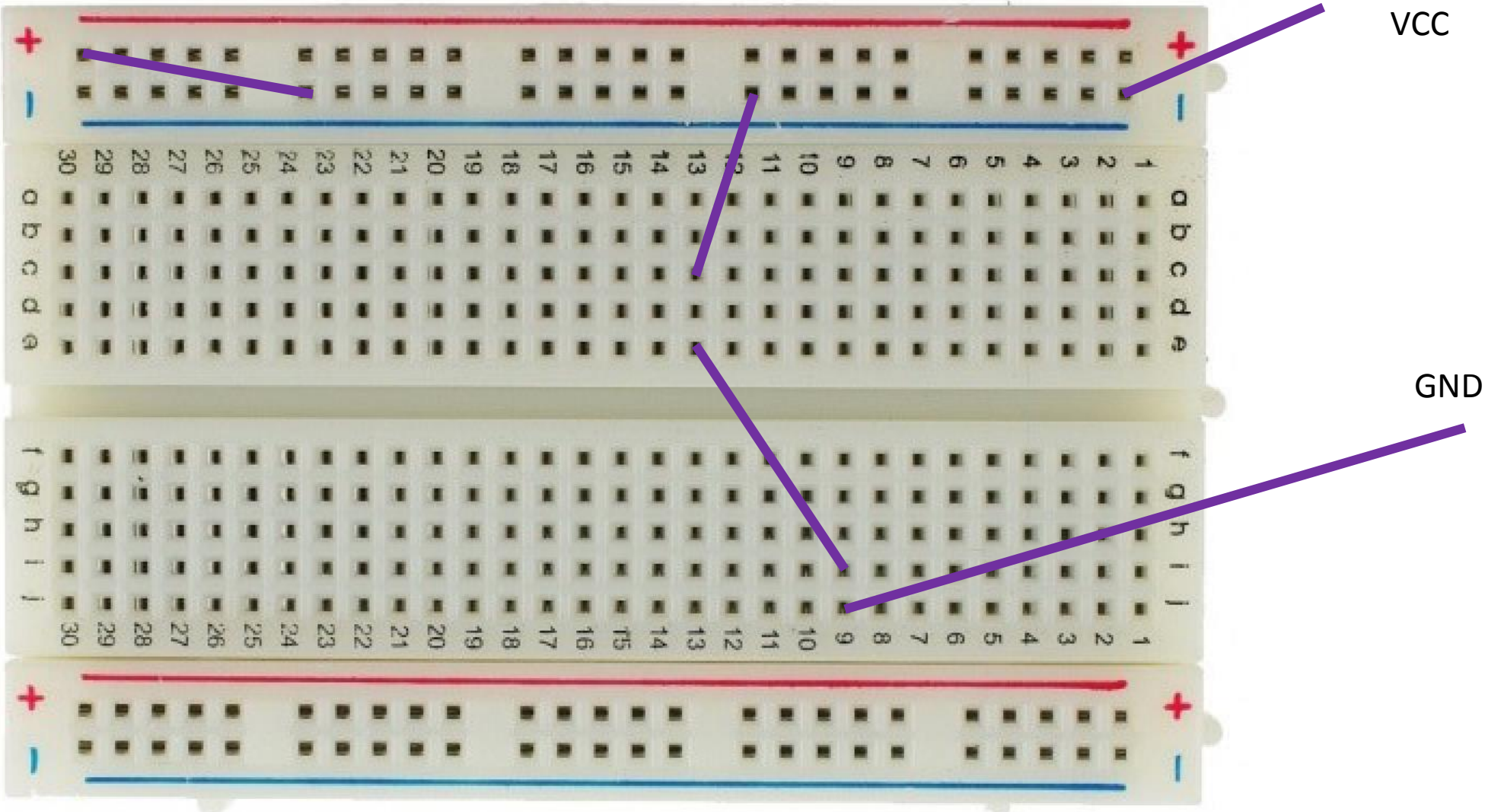
Breadboard Test -1



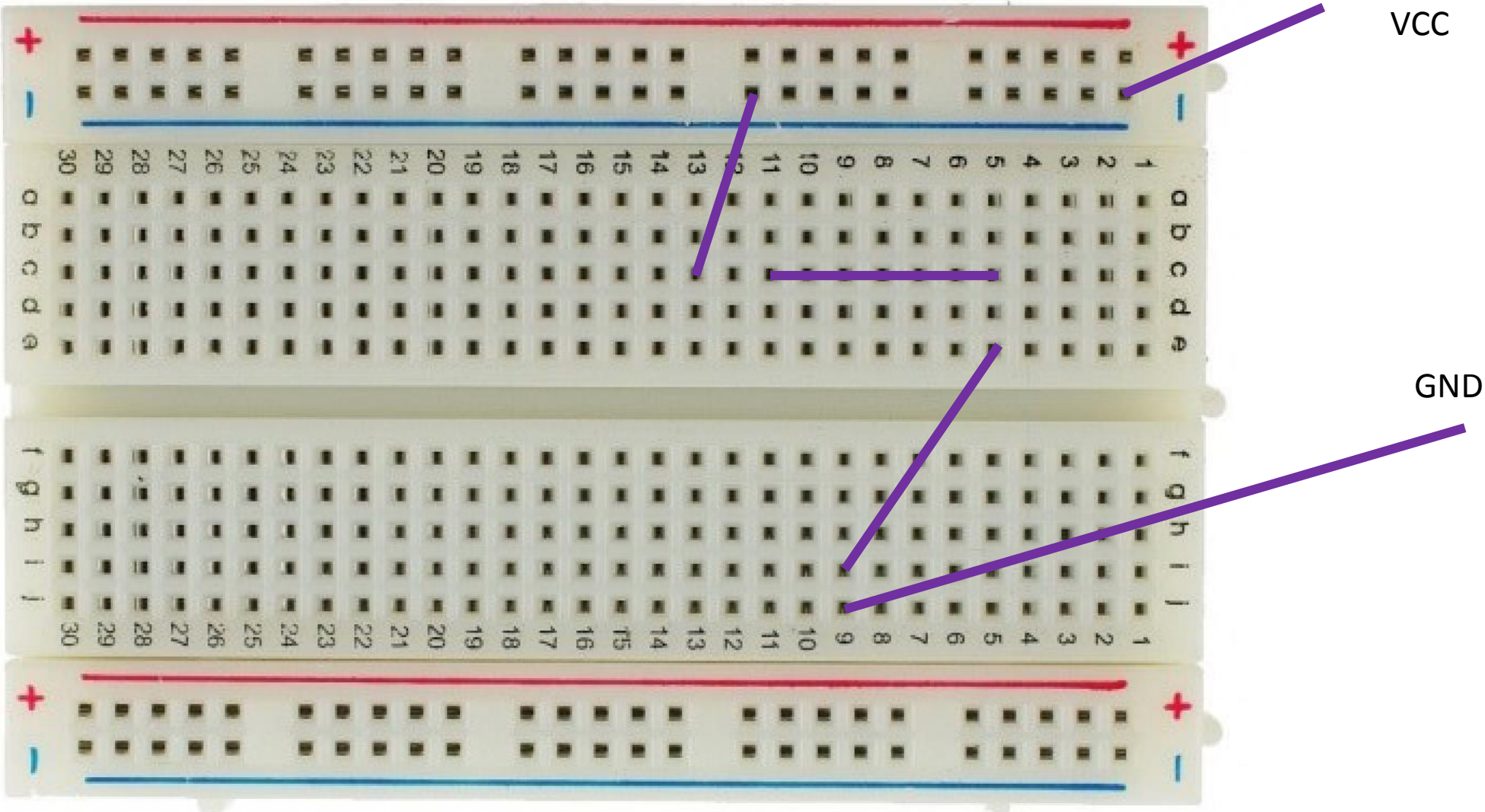
Breadboard Test -2



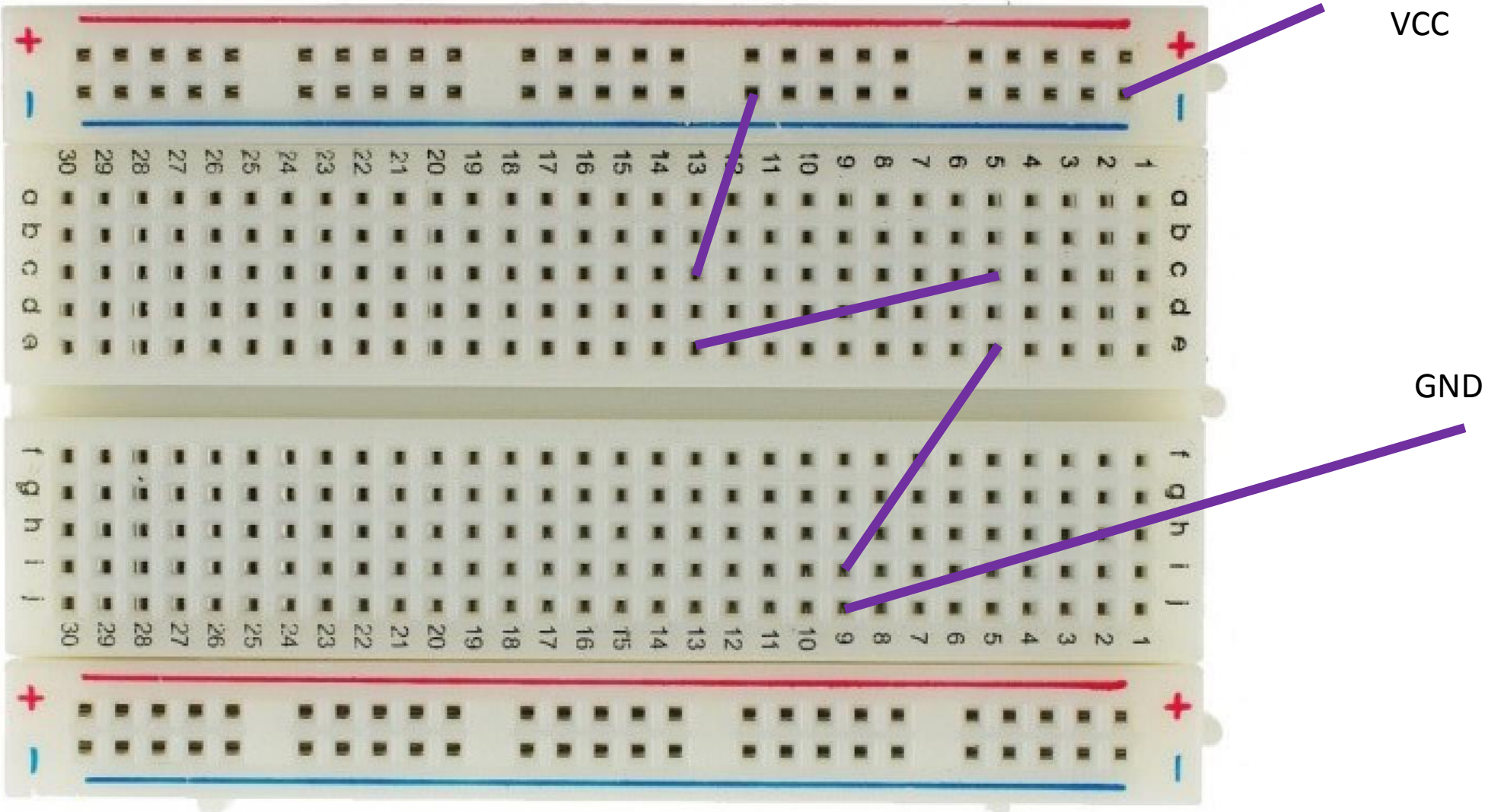
Breadboard Test -3



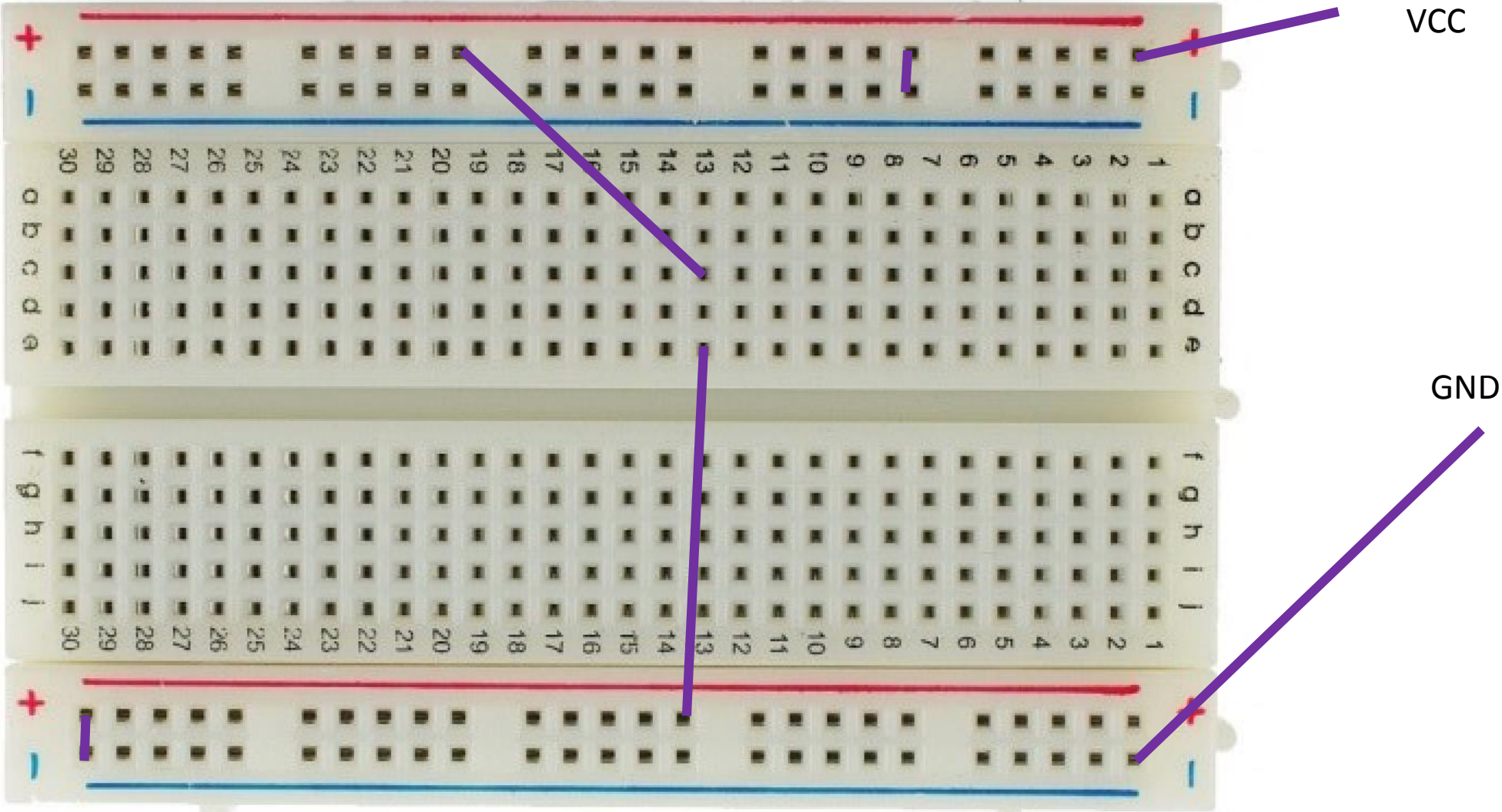
Breadboard Test -4



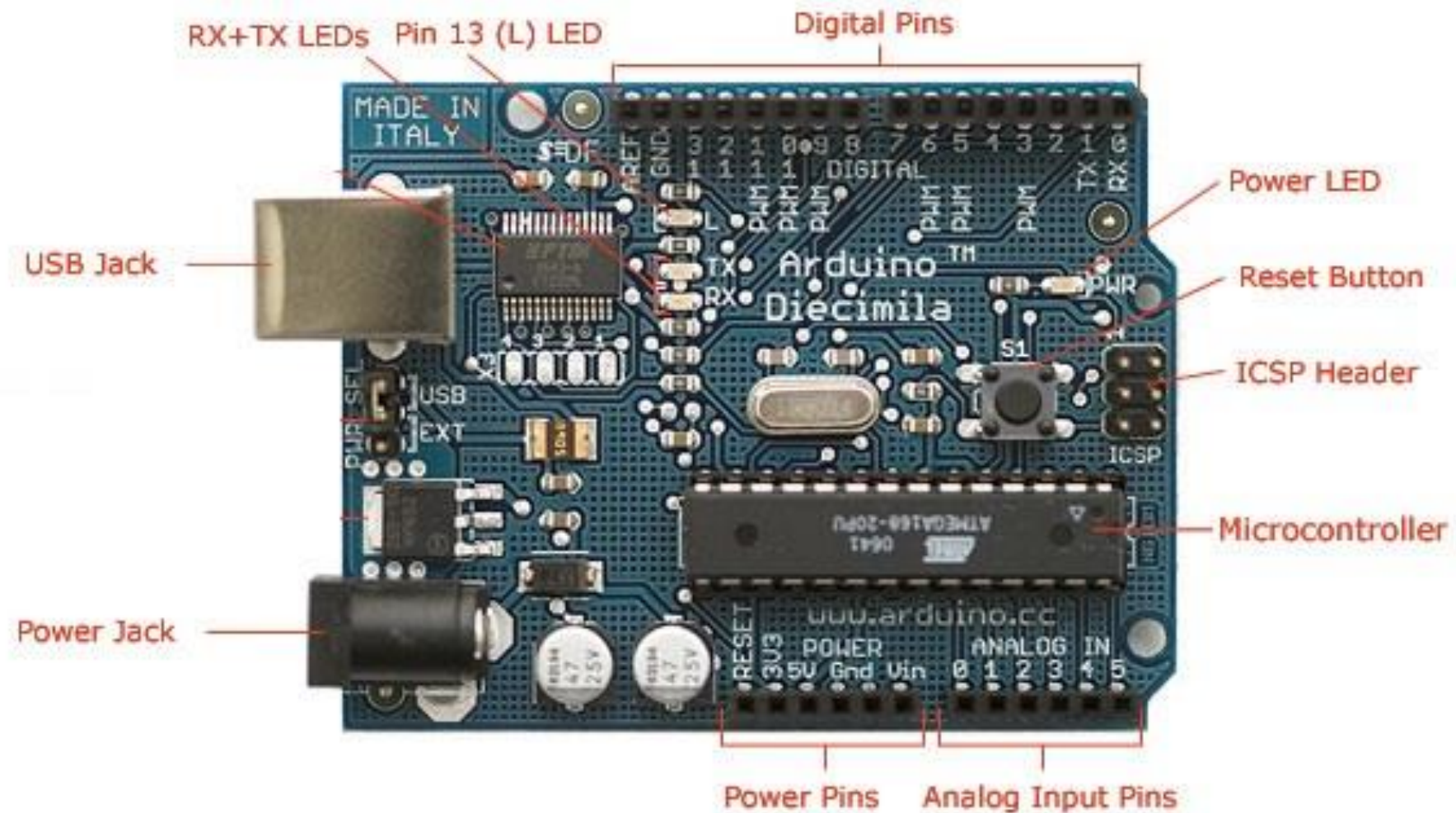
Breadboard Test -5



Breadboard Test -6



Understanding Arduino



Make First Basic Circuit with Arduino

